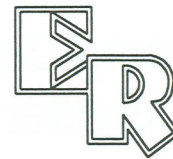
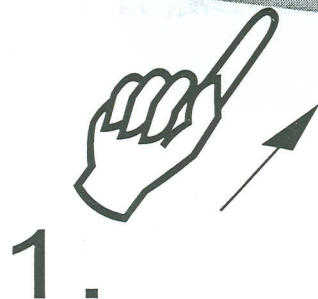
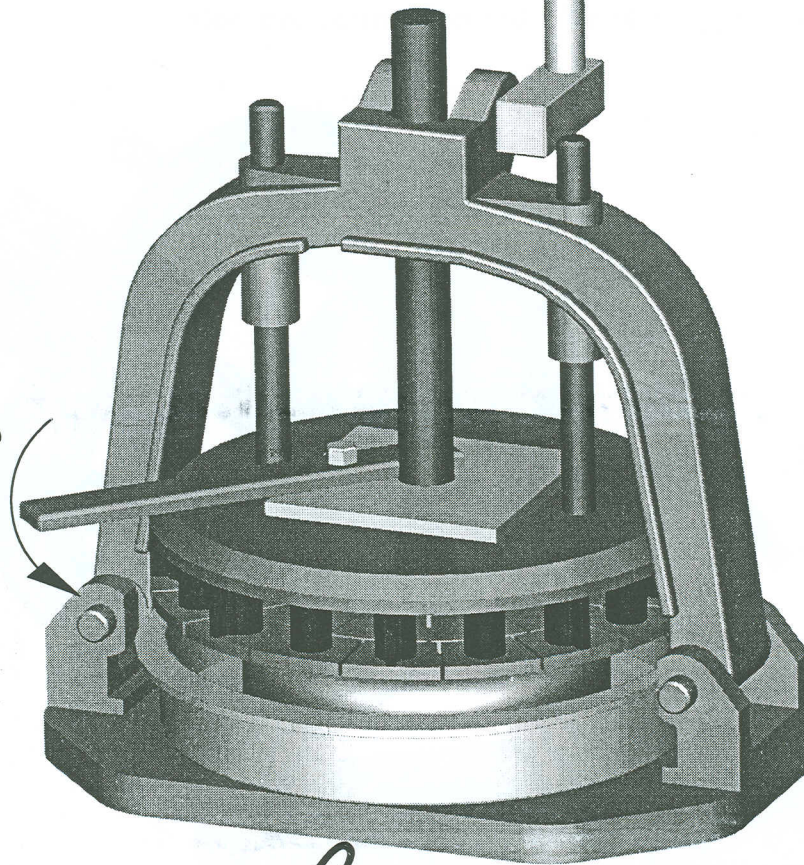


Operating instructions Handdivider

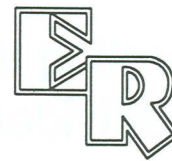


ERIKA RECORD
Short Description

1. Put the bowl with dough into the machine.
2. Press the pressing lever down on the dough to hand out it evenly.
3. Pull the cutting lever and press immediately the pressing lever down.
4. Swing the pressing lever back into starting position. Remove the dough bowl with the finished pieces.



Cleaning Description Handdivider



ERIKA RECORD

This machine has only to be used for pressing and cutting dough!
Never use this machine for other products!
Never put the bowl or any parts into the dishwasher - it may damage.
Never use a power cleaner or a water hose to clean the machine.
Clean the machine base daily with a dry piece of cloth.
Clean the bowl daily with lukewarm water.
Never use aggressive cleaning agent.

DAILY CLEANING OF THE HEAD:

1. Take out the dough bowl.
2. Remove one disconnecting bolt.
3. Lift up the yoke. **ATTENTION: TOP HEAVY!**
Lift it up slowly to avoid that the machine tips over.
4. Take a customary in trade bottle-brush (Not included) to clean the piston.
5. Move back the yoke and fix the disconnecting bolt.

